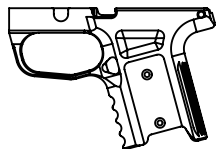


# S365 INSTRUCTION MANUAL

BILLET ALUMINUM MODULAR GRIP FOR THE SIG SAUER P365.



[A] GRIP BASE



[B1] DUST COVER



[C1] GRIP PANEL



[D] DUST COVER SCREW  
#6-32 x 5/16" flat head screw, T15



[E] GRIP PANEL SCREW  
#6-32 x 3/16" flat head screw, 5/64 Hex



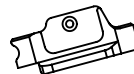
[F] FCU O-RING (OPTIONAL)



[G] GRIP PANEL O-RING (OPTIONAL)



[B2] DUST COVER, LONG



[H] GRIP EXTENSION



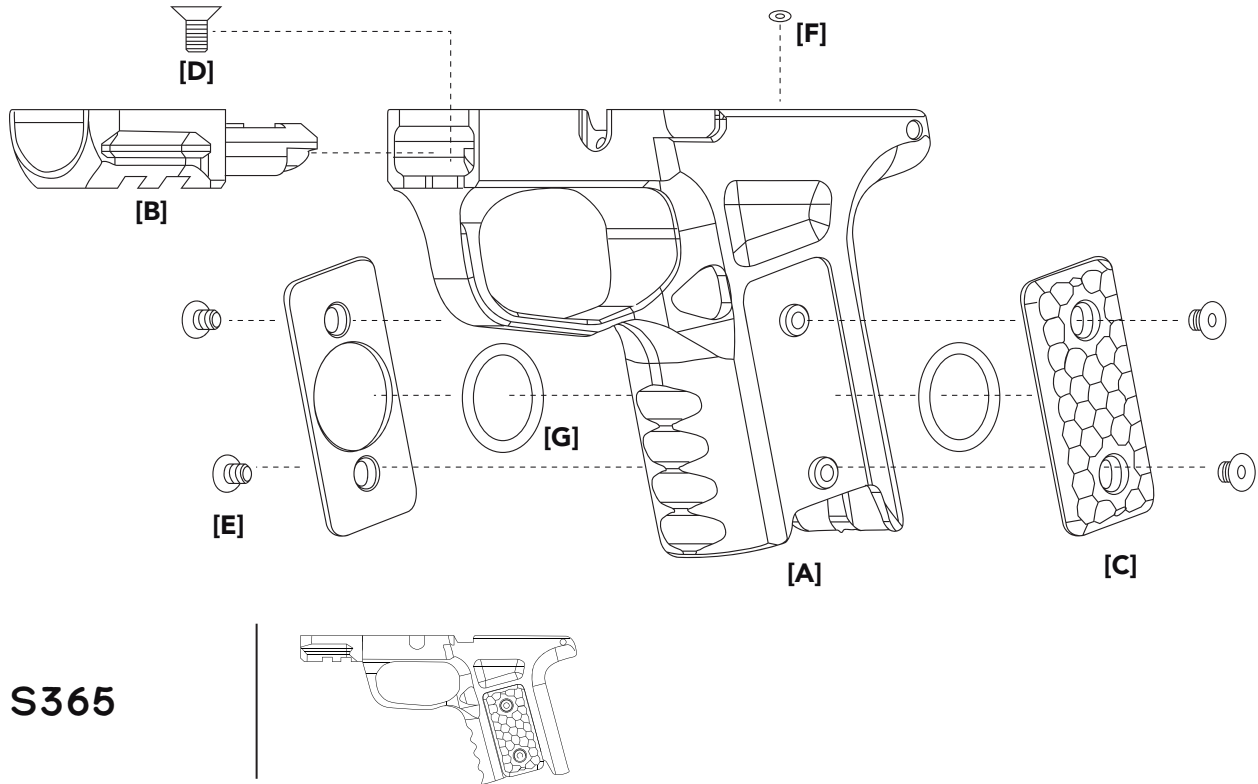
[J] GRIP EXTENSION PIN



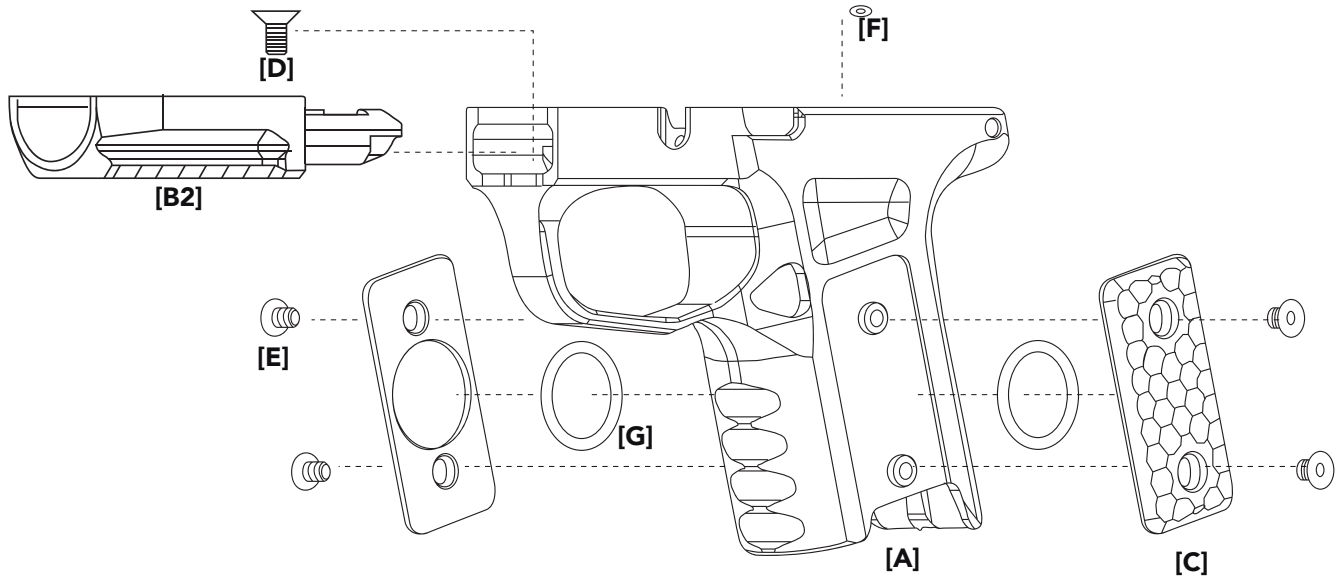
[K] GRIP EXTENSION SCREW  
#6-32 x 3/4" socket head screw, T15



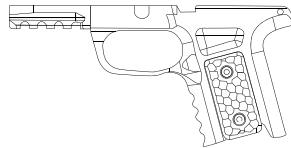
[C2] GRIP PANEL, LONG

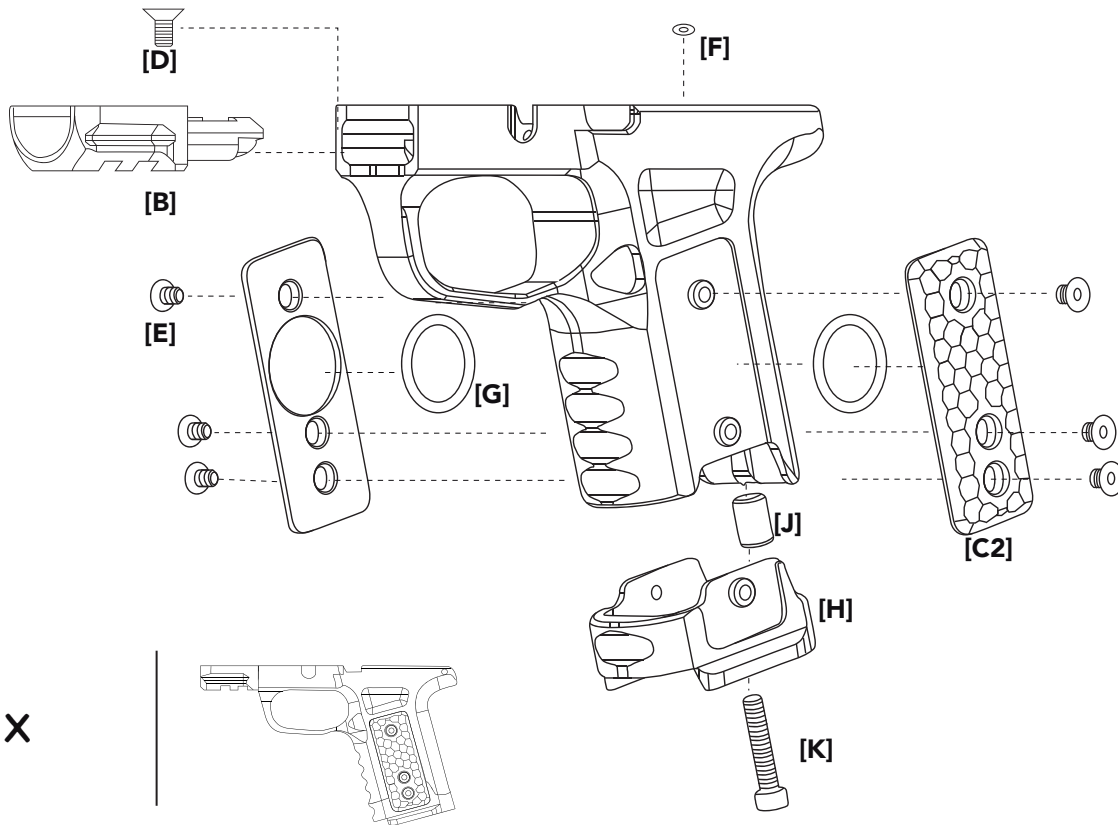


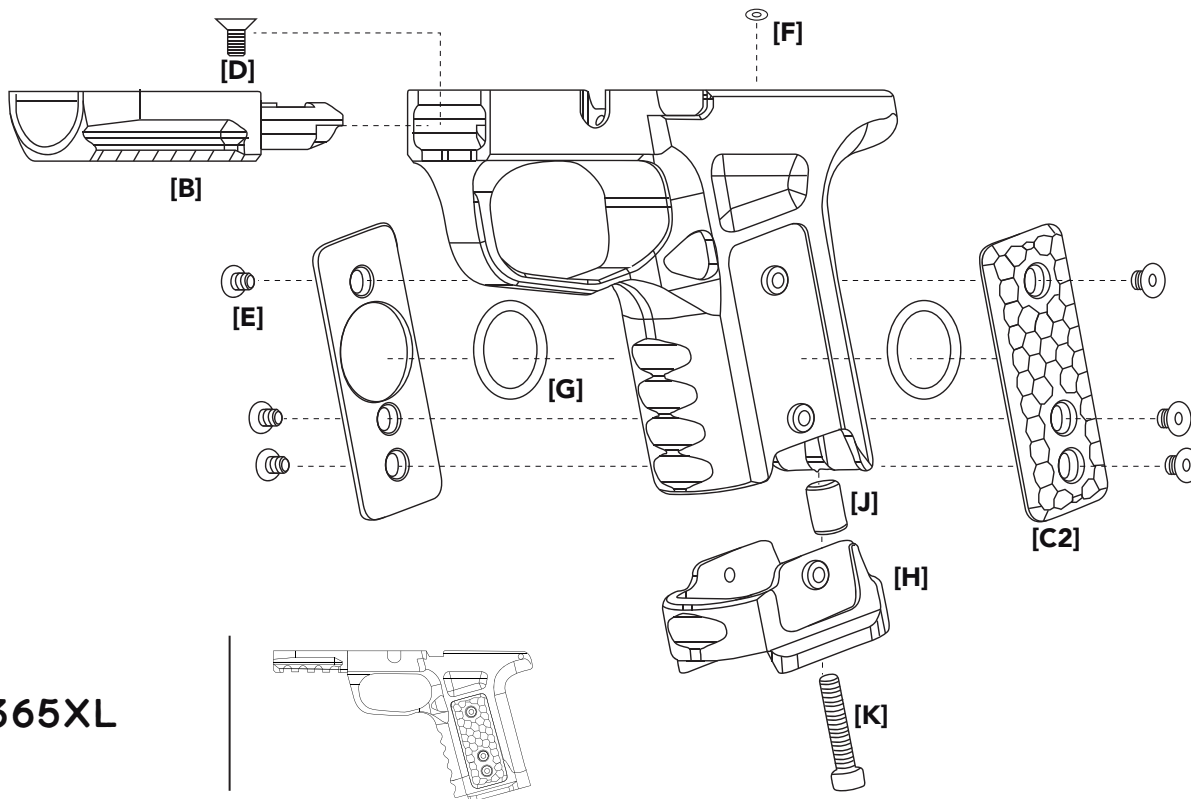
**S365**



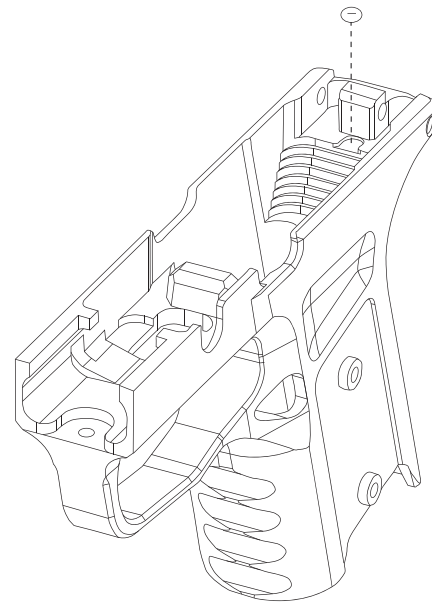
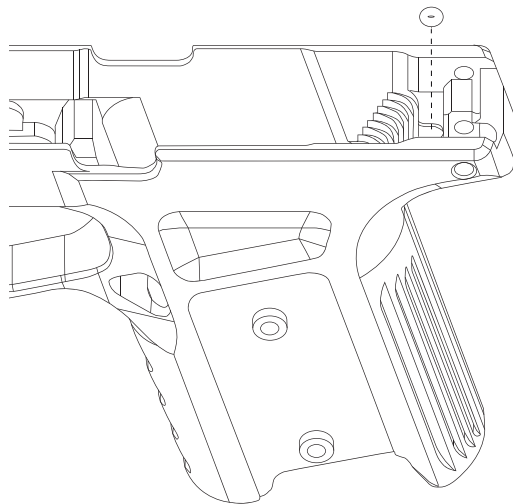
**S365L**





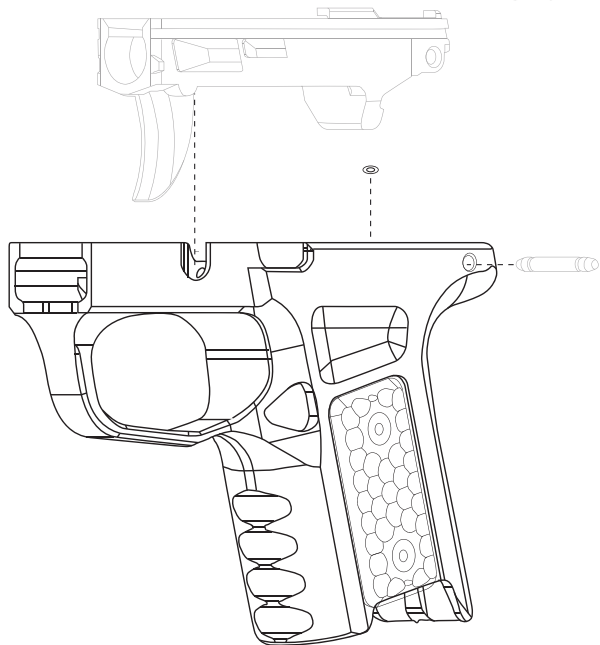


**S365XL**

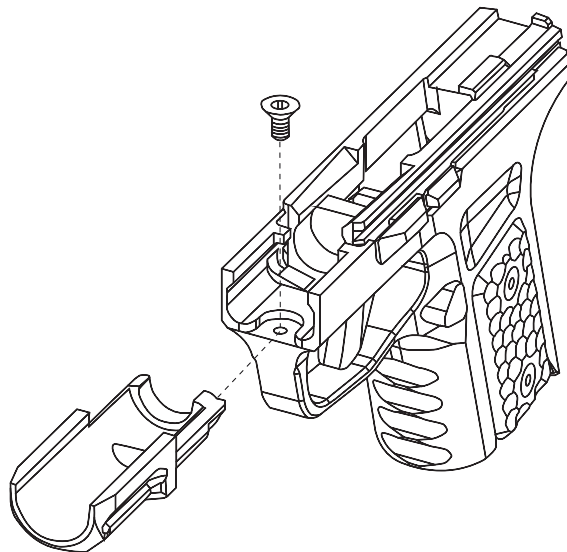


THE SMALLER FCU O-RING [F] IS MADE OF A HIGH-TEMPERATURE SILICONE AND MEANT SERVES TO REPLICATE THE GIVE OF THE POLYMER GRIP MODULES IN THIS AREA WHERE THE FCU CONTACTS. THE LARGER BLACK GRIP PANEL O-RINGS [G] COMPRESS AND PROVIDE TENSION ON THE GRIP SCREWS HELPING KEEPING THEM IN PLACE SECURE WITHOUT THE USE OF THREADLOCKER, ALLOWING EASY CHANGE ACROSS ALL GRIP EXTENSION OPTIONS.

## FCU INSTALLATION

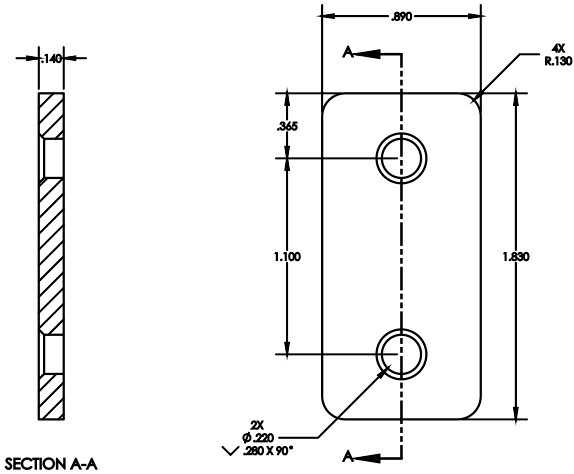


AFTER SETTING THE FCU O-RING [F] IN PLACE, DROP IN THE FCU (NOT INCLUDED) AND FIX IT IN PLACE BY INSTALLING THE SPEAR PIN FROM LEFT TO RIGHT AS SHOWN.

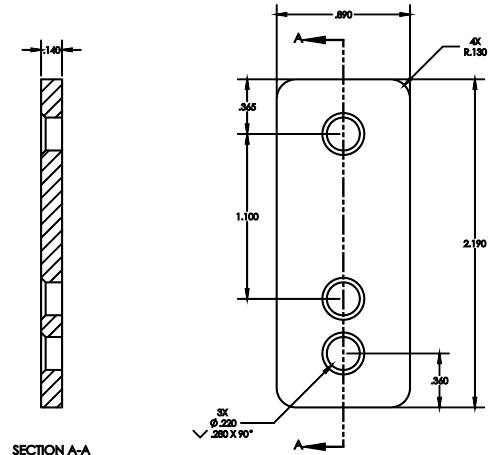


THEN SLIDE ON THE DESIRED DUST COVER [B] FROM THE FRONT UNTIL ALIGNED WITH THE SCREW HOLE IN THE GRIP BASE [A] AND FASTEN WITH THE DUST COVER SCREW [D]





[C1] GRIP PANEL



[C2] GRIP PANEL, LONG